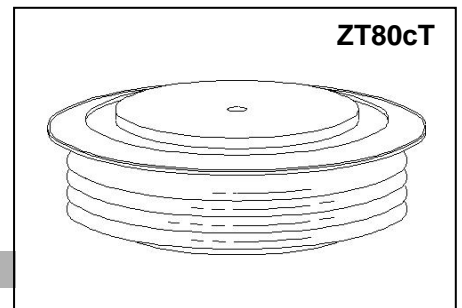




\*\*\*\*\*  
**GENERAL PURPOSE HIGH POWER STANDARD RECTIFIER**  
 \*\*\*\*\*

**Features:**

- . All Diffused Structure
- . High Surge rating
- . Blocking capability up to 4500 volts
- . Ceramic Housing Hermetic Package
- . Pressure Assembled Device



**ELECTRICAL CHARACTERISTICS AND RATINGS**

**Reverse Blocking**

Device Type	V <sub>RRM</sub> (1)	V <sub>RSM</sub> (1)
ZP2500-36	3600	3800
ZP2500-38	3800	4000
ZP2500-40	4000	4200
ZP2500-42	4200	4400
ZP2500-45	4500	4700

V<sub>RRM</sub> = Repetitive peak reverse voltage

V<sub>RSM</sub> = Non repetitive peak reverse voltage (2)

Repetitive peak reverse leakage	I <sub>RRM</sub>	5 mA 100 mA (3)
---------------------------------	------------------	--------------------

Notes:

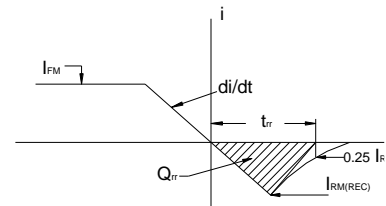
All ratings are specified for T<sub>j</sub>=25 °C unless otherwise stated.

(1) All voltage ratings are specified for an applied 50Hz/60Hz sinusoidal waveform over the temperature range 0 to +150 °C.

(2) 10 msec. max. pulse width

(3) Maximum value for T<sub>j</sub> = 150 °C.

(4) See parameter definition below:



REVERSE RECOVERY CHARACTERIST

**Conducting - on state**

Parameter	Symbol	Min.	Max.	Typ.	Units	Conditions
Average forward current	I <sub>F(AV)</sub>		2500		A	Sinewave, 180°, T <sub>c</sub> =100 °C
RMS forward current	I <sub>FRMS</sub>		3925		A	Nominal value
Peak one cycle surge (non repetitive) current	I <sub>FSM</sub>		37500		A	10 msec (50Hz), sinusoidal wave-shape, 180° conduction, T <sub>j</sub> = 150 °C
I square t	I <sup>2</sup> t		7 × 10 <sup>6</sup>		A <sup>2</sup> s	10 msec
Peak forward voltage	V <sub>FM</sub>		1.60		V	I <sub>FM</sub> = 3000A; T <sub>j</sub> =25°C
Threshold voltage	V <sub>FO</sub>		0.85		V	T <sub>j</sub> =150°C, I=0.5 π I <sub>F(AV)</sub> to 1.5 π I <sub>F(AV)</sub>
Slope resistance	r <sub>F</sub>		0.15		mΩ	T <sub>j</sub> =150°C, I=0.5 π I <sub>F(AV)</sub> to 1.5 π I <sub>F(AV)</sub>
Reverse Recovery Current (4)	I <sub>RM(REC)</sub>				A	I <sub>FM</sub> = 500 A; di/dt = -10 A/s; T <sub>jmax</sub>
Reverse Recovery Charge (4)	Q <sub>rr</sub>			5500	μC	I <sub>FM</sub> = 500 A; di/dt = -10 A/s; T <sub>jmax</sub>
Reverse Recovery Time (4)	t <sub>rr</sub>				μs	I <sub>FM</sub> = 500 A; di/dt = -10 A/s; T <sub>jmax</sub>

Parameter	Symbol	Min.	Max.	Typ.	Units	Conditions
Operating temperature	$T_j$	-40	+150		°C	
Storage temperature	$T_{stg}$	-40	+150		°C	
Thermal resistance - junction to case	$R_{\Theta(j-c)}$		0.01		°C/W	Double sided cooled
Thermal resistance - case to heatsink	$R_{\Theta(c-s)}$		0.003		°C/W	Double sided cooled
Mounting force	P	32	39	35	kN	
Weight	W			1.1	kg.	

\* Mounting surfaces smooth, flat and greaseless

**CASE OUTLINE AND DIMENSIONS**

